



TECHNICAL SERVICE BULLETIN

General Motors Quad 4 Installation Advisory – 2.3L (1987-1995)

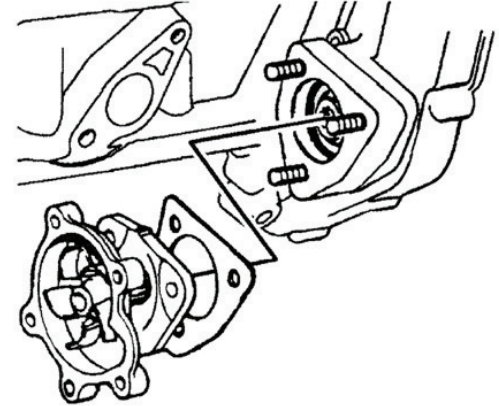
CARTER PART NUMBER: W721M

#1

CONDITION: The replacement water pump bearing is pressed downward as the mounting bolts are tightened, damaging the bearing.

CAUSE: Improper seating of the water pump bearing shaft into the bore in the timing chain idler bearing.

CORRECTION: To ensure proper installation, special attention must be paid to the proper seating of the splined end of the bearing shaft into the splined bore in the timing chain idler bearing.



#2

CONDITION: The replacement water pump may not appear to seat fully, exposing a 1/4" gap between the timing chain cover and the pump's gasket surface.

CAUSE: The gap spacing is normal. The timing chain idler gear is internally spring-loaded to eliminate spline noise.

CORRECTION: The gap will diminish as the pump is tightened down. The pump to timing cover mounting bolts should be tightened in a staggered, side-to-side fashion to their proper torque. Refer to the repair manual for proper bolt torque values.